

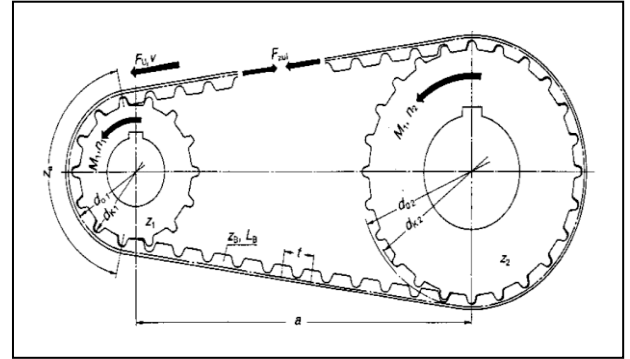
**“Solution Driven Engineering”**

A venture by

**Mangal Singh Bros. Pvt. Ltd. Mumbai**

## About Us:

MSB Engg. Co. is subsidiary of Mangal Singh Bros. Pvt Ltd (MSB) incorporated to meet rise in demands and challenges both qualitatively and quantitatively in the field of Power Transmission Solutions Specifically Belt Drive Solutions. Our Parent Company is ISO 9001 & 14001 certified is leading player in Power Transmission Industry for Timing Belts, V - Belts, Flat Belts and Conveyor Belts catering throughout the Indian region.



## Introduction to Timing Pulleys:

The perfect meshing of timing belt and pulley teeth is crucial for the satisfactory performance and long service life of any belt drive. Our State of Art Manufacturing facility based in Goregaon East, Mumbai allows for very precise machining standards, leading to superior quality and quick product availability. Our Production is subjected to constant quality checks at every stage of pulley right from the raw material to the finished final product which is ready to get assembled in machine.

## Range:

MSB Engg. Co. offers a wide range of finished precision pulleys that perfectly meshed with timing belts to meet the highest customer expectations. Our Pulleys covers complete Imperial and Metric range as well as latest synchrochain to match the following pitch profiles:

- **CLASSICAL:** MXL, XL, L, H, XH, XXH
- **HTD / STD:** 3M, 5M, 8M, 14M
- **T / AT:** T5, T10, T20, AT5, AT10, AT20
- **GX8M, GX14M**
- **PL, PJ, PM**



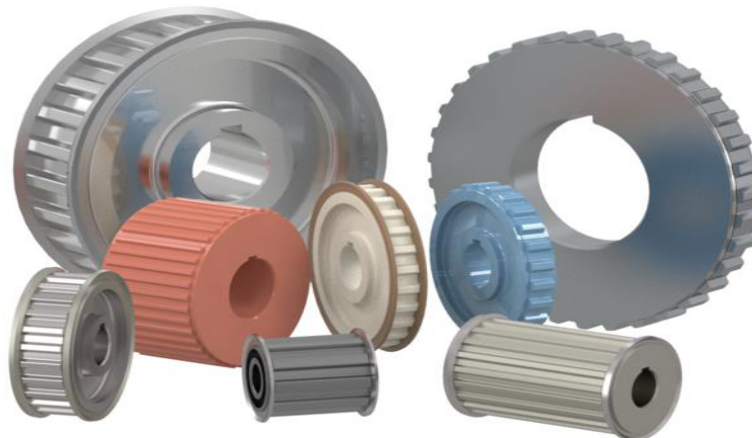
## Pulley Materials:

We offer Pulleys in different materials which are listed below with their characteristics:

Material Type	Characteristics
Aluminium	Light Weight thus reduce rotational inertial
	Suitable for Moderate Power Transmission
	Moderate Corrosion Resistant
Stainless Steel	Suitable for High Power Transmission
	FDA Regulations Compatible
	Excellent Chemical and Corrosion Resistant
	Aesthetic Material
Steel (MS / Alloy Steel)	Suitable for High Power Transmission
	High Durability
	Excellent Chemical and Corrosion Resistant
	Aesthetic Material
Delrin / Nylon	Suitable for Moderate Power Transmission
	Excellent Chemical and Corrosion Resistant
	Non – Metallic
Cast Iron / SG Iron	Very High Power Transmission
	Suitable for Heavy Engineering Applications

Also, we also do Pulley Surface Treatment & Heat Treatment which are listed below.

Material Type	Surface Treatment / Finishing
Aluminium	Soft Anodizing
	Hard Anodizing
	Glass Bidding
Steel	Blackening
	Flash Chrome
	ENP – Electroless Nickel Plating
	Zinc Plating / TIN Coating / Phosphating
Cast Iron / SG Iron	Powder Coating
	Phosphating
Alloy Steel	Thru Hardening, Gas Nitriding, Plasma Nitriding etc.



## Quality:

- Highest Standards Complying with the International Regulations for Quality Measurements.
- Rigorous control through various stages of Manufacturing results in meeting Client's High Expectations.
- Effective Tests from Raw Material Procurement to Final Product.
- Use of Qualified and Experienced people Signifies best inputs, ideas and suggestions to manufacture quality product.



## Manufacturing Capacity:

- In our State of the Art Manufacturing Facility, we are capable of manufacturing minimum pulley Dia. of 10 mm to maximum pulley Dia. of 800 mm.
- Our Facility is capable of mass production of timing pulleys depending upon your monthly requirement.

## Drive Solution:

We are proud to support and actively participate with our Customer's Design and Quality Department in designing the belt drive as per their required specification. We also do the belt profile selection based upon the drive design. This helps our customer to reach their desired design drive swiftly in order to reach the market first.

## Notes:

## **MSB Engg. Co.**

Plot No. A-33, TTC Industrial Area, Thane-Belapur Road,  
MIDC – Khairne, Navi Mumbai - 400710,  
Ph. No. +91-8850860677  
Email : [info@msb-engg.com](mailto:info@msb-engg.com) / [sales@msb-engg.com](mailto:sales@msb-engg.com)